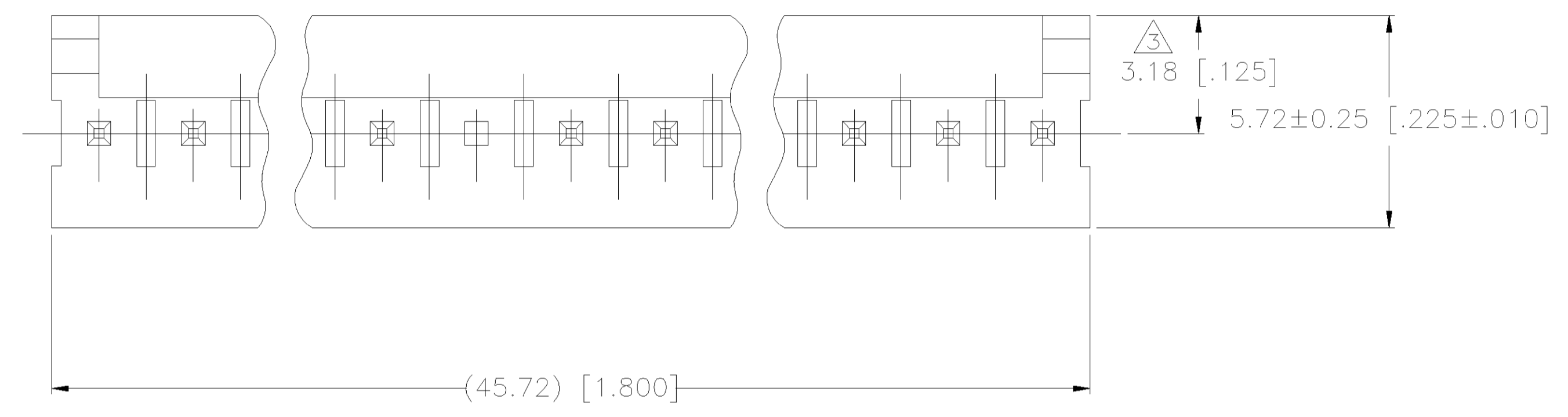
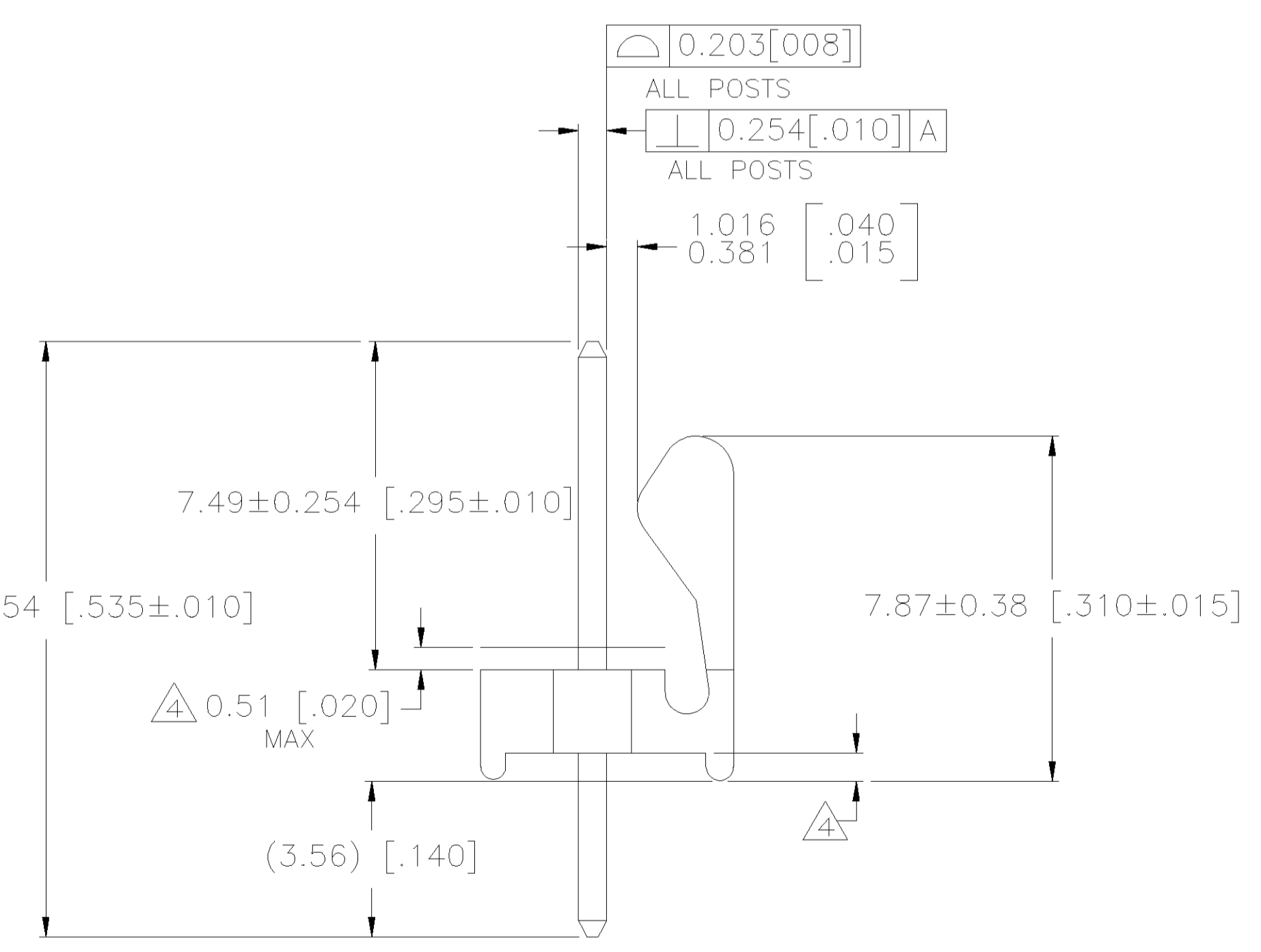
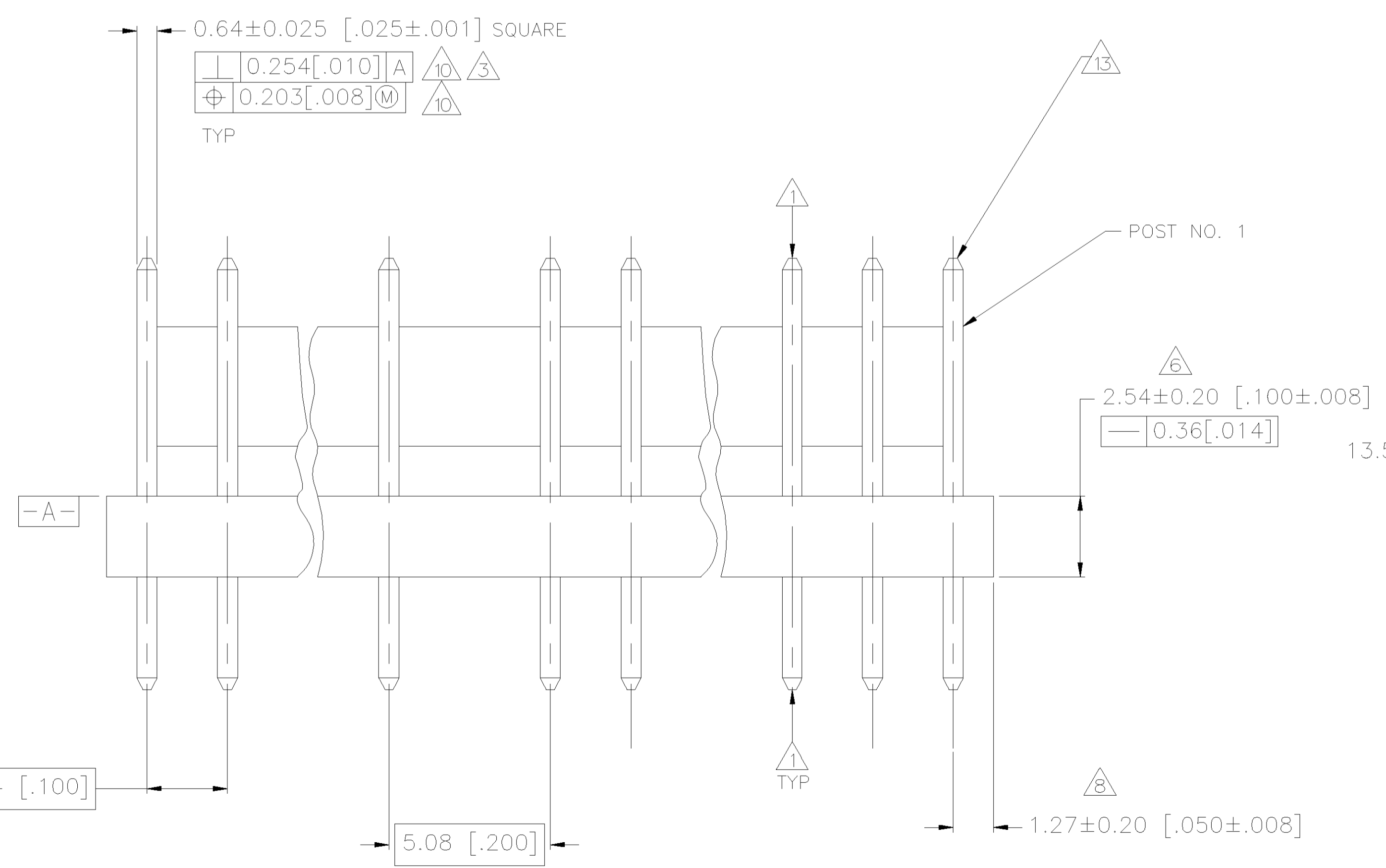


RECOMMENDED MOUNTING HOLE PATTERN FOR 1.60 [.063] THICK P.C. BOARD



- 1. POST TO WITHSTAND 13 NEWTONS [3.0] LBS. MIN. AXIAL FORCE IN BOTH DIRECTIONS SHOWN WITHOUT DISLODGING.
- 2. TOLERANCES APPLY TO SOLDER SIDE OF BOARD.
- 3. MEASURED AT DATUM -A-
- 4. PLASTIC FLASH PERMITTED IN THIS AREA.
- 5. PARTS COMPLY WITH SOLDERABILITY SPEC. NO. 109-11-2.
- 6. ONE HOLE MAY BE UNDERSIZED 0.813-0.889 [.032-.035] DIA. FOR ASSEMBLY RETENTION DURING WAVE SOLDERING.
- 7. MATERIAL: HEADER-THERMOPLASTIC POLYESTER
UL94V-0(NATURAL)
POST-COPPER ALLOY (TIN-PLATED)
- 8. COORDINATE DIMENSION APPLIES FROM CENTER OF ACTUAL FEATURE.
- 9. PLASTIC BURRS CAUSED BY CUT-OFF TOOLING ARE PERMITTED WITHIN THE MAXIMUM TOLERANCE ENVELOPE.
- 10. POSTS TO BE MEASURED WHEN STRIP IS HELD FLAT.
- 11. POSTS MUST WITHSTAND TWO 90° BENDS AGAINST EXTRUSION WITHOUT BREAKING.
- 12. DIMENSION SHOULD BE 3.302 [.130] MIN WHEN MATING WITH A MTA 100 CONNECTOR ASSEMBLY OR A CST 100 CONNECTOR.
- 13. PIN BURR OF 0.127 [.005] MAX. HIGH AND 0.076 [.003] MAX. WIDE PERMITTED AT POST TIPS ON BOTH ENDS.



PART SHOWN 647306-5

| | |
|---------------------|-------------|
| 9 | 647306-9 |
| 16 | 647306-8 |
| 10 | 647306-7 |
| 5 | 647306-6 |
| 7 | 647306-5 |
| 6 | 647306-4 |
| 4 | 647306-3 |
| 2 | 647306-2 |
| 3 | 647306-1 |
| POST NUMBER OMITTED | PART NUMBER |

THIS DRAWING IS A CONTROLLED DOCUMENT.

| | | | | |
|-------------------------|--|--------------------------|----------------------------|---|
| DIMENSIONS: MM [INCHES] | TOLERANCES UNLESS OTHERWISE SPECIFIED: | OWN: S. HAMM 25-JUL-2001 | APVD: D. BOSSI 25-JUL-2001 | tyco Electronics Tyco Electronics Corporation Harrisburg, PA 17105-3608 |
| 0 PLG ± - | 1 PLG ± - | 1 PLG ± - | 2 PLG ± 0.13[.005] | NAME: ASSEMBLY, MTA-100 HEADER, FRICTION LOCK, NOTCHED, 0.635 [.025] SQUARE STRAIGHT POST, 18 POSITION W/OMITTED POST |
| 3 PLG ± - | 4 PLG ± - | ANGLES: ± 0°30' | FINISH: - | APPLICATION SPEC: - |
| MATERIAL: - | WEIGHT: - | SIZE: A1 | CAGE CODE: 00779 | DRAWING NO: 647306 |
| CUSTOMER DRAWING | | SCALE: 8:1 | SHEET: 1 OF 1 | REV: C |

